

Manufacturer

PETER BREHM

Distributed by

MATHYS 
European Orthopaedics



Preservation in motion



MRP-TITAN

Ordering information

For healthcare professional use only. The illustrated image does not represent a connection between the use of the medical device described, nor its performance.

*Building on our heritage
Moving technology forward
Step by step with our clinical partners
Towards a goal of preserving mobility*

Preservation in motion

As a Swiss company, Mathys is committed to this guiding principle and pursues a product portfolio with the goal of further developing traditional philosophies with respect to materials or design in order to address existing clinical challenges. This is reflected in our imagery: traditional Swiss activities in conjunction with continuously evolving sporting equipment.

Table of contents

1. Implants	4
MRP-TITAN – Proximal necks including sleeve and screw	4
MRP-TITAN – 140 mm straight stem	6
MRP-TITAN – 200 mm straight stem	7
MRP-TITAN – 200 mm curved stem	8
Optional	9
MRP-TITAN – 260 mm curved stem	10
MRP-TITAN – 320 mm curved stem	10
MRP-TITAN – 80 mm straight stem	11
2. Instruments	12
Instrumentation set – configurations	12
Basic instrument set MRP-Titan (98292-15-1), Set no. 51.34.1152A	14
Basic instrument set MRP-Titan (98292-125-1), Set no. 51.34.1152A	15
Service kit for MRP-Titan basic instrument set, Set no. 51.34.1153A	16
Basic instrument set MRP-Titan trial stems, Set no. 51.34.1154A	17
Set MRP-Titan straight trials 200 Ø 13–22, Set no. 51.34.1155A	19
Set MRP-Titan curved trials 200 Ø 23–30, Set no. 51.34.1156A	20
Set MRP-Titan straight trials 140 Ø 23–30, Set no. 51.34.1157A	20
Set MRP-Titan straight trials 200 Ø 23–30, Set no. 51.34.1158A	21
Flexible reamer set for curved stems, Set no. 51.34.1159A	22
Instrument set MRP-Titan distal locking, Set no. 51.34.1160A	23
Instrument set for distal targeting device, Set no. 51.34.1161A	24
Trial instrument set 260 curved Ø 11–29 (11–21), Set no. 51.34.1162A	25
Trial instrument set 260 curved Ø 11–29 (22–26), Set no. 51.34.1162A	26
Trial instrument set 260 curved Ø 11–29 (27–29), Set no. 51.34.1162A	27
Trial instrument set 320 curved Ø 11–29 (11–21), Set no. 51.34.1163A	28
Trial instrument set 320 curved Ø 11–29 (22–29), Set no. 51.34.1163A	29
Instrument set MRP-Titan straight 80, Ø 13–25, Set no. 51.34.1164A	30

1. Implants

MRP-TITAN – Proximal necks including sleeve and screw



Neck Segment with Fin

Item no.	Description
60901-01	Neck Segment with Fin, S
60901-02	Neck Segment with Fin, M
60901-03	Neck Segment with Fin, L

Material: Ti6Al4V



Neck Segment without Fin

Item no.	Description
60902-01	Neck Segment without Fin, S
60902-02	Neck Segment without Fin, M
60902-03	Neck Segment without Fin, L

Material: Ti6Al4V



Neck Segment Lateralized

Item no.	Description
60903-01	Neck Segment Lateralized, S
60903-02	Neck Segment Lateralized, M
60903-03	Neck Segment Lateralized, L

Material: Ti6Al4V



Extension Sleeve

Item no.	Description
60916-04	Extension Sleeve Ø 16x30 mm
60918-04	Extension Sleeve Ø 18x30 mm
60920-04	Extension Sleeve Ø 20x30 mm
60922-04	Extension Sleeve Ø 22x30 mm
60924-04	Extension Sleeve Ø 24x30 mm

Material: Ti6Al4V



Screw M6

Item no.	Description
60901-04	Screw M6 short S
60901-07	Screw M6 long L

Material: Ti6Al4V, TiN-coated

Note: A respective Screw M6 has to be ordered separately for each stem.



Stud Bolt

Item no.	Description
60900-143	Stud Bolt, sterile Unit

Material: 1.4462

Note: A Stud Bolt has to be ordered separately for each stem.

No picture

Locking Bolt

Item no.	Description
51045-30+01	Locking Bolt Coated Ø 5x30 mm
51045-35+01	Locking Bolt Coated Ø 5x35 mm
51045-40+01	Locking Bolt Coated Ø 5x40 mm
51045-45+01	Locking Bolt Coated Ø 5x45 mm
51045-50+01	Locking Bolt Coated Ø 5x50 mm
51045-55+01	Locking Bolt Coated Ø 5x55 mm
51045-60+01	Locking Bolt Coated Ø 5x60 mm
51045-65+01	Locking Bolt Coated Ø 5x65 mm
51045-70+01	Locking Bolt Coated Ø 5x70 mm

Material: Ti6Al4V

MRP-TITAN – 140 mm straight stem

140 mm

Nominal
size



MRP-TITAN Standard

Item no.	Description
60913-01	Anchoring Stem Straight Ø 13 x 140 mm
60914-01	Anchoring Stem Straight Ø 14 x 140 mm
60915-01	Anchoring Stem Straight Ø 15 x 140 mm
60916-01	Anchoring Stem Straight Ø 16 x 140 mm
60917-01	Anchoring Stem Straight Ø 17 x 140 mm
60918-01	Anchoring Stem Straight Ø 18 x 140 mm
60919-01	Anchoring Stem Straight Ø 19 x 140 mm
60920-01	Anchoring Stem Straight Ø 20 x 140 mm
60921-01	Anchoring Stem Straight Ø 21 x 140 mm
60922-01	Anchoring Stem Straight Ø 22 x 140 mm
60923-01	Anchoring Stem Straight Ø 23 x 140 mm
60924-01	Anchoring Stem Straight Ø 24 x 140 mm
60925-01	Anchoring Stem Straight Ø 25 x 140 mm
60926-01	Anchoring Stem Straight Ø 26 x 140 mm
60927-01	Anchoring Stem Straight Ø 27 x 140 mm
60928-01	Anchoring Stem Straight Ø 28 x 140 mm
60929-01	Anchoring Stem Straight Ø 29 x 140 mm
60930-01	Anchoring Stem Straight Ø 30 x 140 mm

Material: Ti6Al4V

Nominal size: 13–30 mm

Conical design: 6 mm

MRP-TITAN – 200 mm straight stem

200 mm

Nominal
size



MRP-TITAN Standard

Item no.	Description
60913-02	Anchoring Stem Straight Ø 13 x 200 mm
60914-02	Anchoring Stem Straight Ø 14 x 200 mm
60915-02	Anchoring Stem Straight Ø 15 x 200 mm
60916-02	Anchoring Stem Straight Ø 16 x 200 mm
60917-02	Anchoring Stem Straight Ø 17 x 200 mm
60918-02	Anchoring Stem Straight Ø 18 x 200 mm
60919-02	Anchoring Stem Straight Ø 19 x 200 mm
60920-02	Anchoring Stem Straight Ø 20 x 200 mm
60921-02	Anchoring Stem Straight Ø 21 x 200 mm
60922-02	Anchoring Stem Straight Ø 22 x 200 mm
60923-02	Anchoring Stem Straight Ø 23 x 200 mm
60924-02	Anchoring Stem Straight Ø 24 x 200 mm
60925-02	Anchoring Stem Straight Ø 25 x 200 mm
60926-02	Anchoring Stem Straight Ø 26 x 200 mm
60927-02	Anchoring Stem Straight Ø 27 x 200 mm
60928-02	Anchoring Stem Straight Ø 28 x 200 mm
60929-02	Anchoring Stem Straight Ø 29 x 200 mm
60930-02	Anchoring Stem Straight Ø 30 x 200 mm

Material: Ti6Al4V

Nominal size: 13–30 mm

Conical design: 6 mm

MRP-TITAN – 200 mm curved stem

200 mm

Nominal
size



MRP-TITAN Standard

Item no.	Description
60913-03	Anchoring Stem Curved Ø 13x200 mm
60914-03	Anchoring Stem Curved Ø 14x200 mm
60915-03	Anchoring Stem Curved Ø 15x200 mm
60916-03	Anchoring Stem Curved Ø 16x200 mm
60917-03	Anchoring Stem Curved Ø 17x200 mm
60918-03	Anchoring Stem Curved Ø 18x200 mm
60919-03	Anchoring Stem Curved Ø 19x200 mm
60920-03	Anchoring Stem Curved Ø 20x200 mm
60921-03	Anchoring Stem Curved Ø 21x200 mm
60922-03	Anchoring Stem Curved Ø 22x200 mm
60923-03	Anchoring Stem Curved Ø 23x200 mm
60924-03	Anchoring Stem Curved Ø 24x200 mm
60925-03	Anchoring Stem Curved Ø 25x200 mm
60926-03	Anchoring Stem Curved Ø 26x200 mm
60927-03	Anchoring Stem Curved Ø 27x200 mm
60928-03	Anchoring Stem Curved Ø 28x200 mm
60929-03	Anchoring Stem Curved Ø 29x200 mm
60930-03	Anchoring Stem Curved Ø 30x200 mm

Material: Ti6Al4V

Nominal size: 13–30 mm

Conical design: 6 mm

Optional

MRP-TITAN – 260 mm curved stem

260 mm



Nominal
size

MRP-TITAN with distal locking option

Item no.	Description
61211-01	Anchoring Stem Curved Ø 11x260 mm
61212-01	Anchoring Stem Curved Ø 12x260 mm
61213-01	Anchoring Stem Curved Ø 13x260 mm
61214-01	Anchoring Stem Curved Ø 14x260 mm
61215-01	Anchoring Stem Curved Ø 15x260 mm
61216-01	Anchoring Stem Curved Ø 16x260 mm
61217-01	Anchoring Stem Curved Ø 17x260 mm
61218-01	Anchoring Stem Curved Ø 18x260 mm
61219-01	Anchoring Stem Curved Ø 19x260 mm
61220-01	Anchoring Stem Curved Ø 20x260 mm
61221-01	Anchoring Stem Curved Ø 21x260 mm
61222-01	Anchoring Stem Curved Ø 22x260 mm
61223-01	Anchoring Stem Curved Ø 23x260 mm
61224-01	Anchoring Stem Curved Ø 24x260 mm
61225-01	Anchoring Stem Curved Ø 25x260 mm
61226-01	Anchoring Stem Curved Ø 26x260 mm
61227-01	Anchoring Stem Curved Ø 27x260 mm
61228-01	Anchoring Stem Curved Ø 28x260 mm
61229-01	Anchoring Stem Curved Ø 29x260 mm

Material: Ti6Al4V

Nominal size: 11–29 mm

Conical design: 2 mm

Optional

MRP-TITAN – 320 mm curved stem

320 mm



MRP-TITAN with distal locking option

Item no.	Description
61211-02	Anchoring Stem Curved Ø 11x320mm
61212-02	Anchoring Stem Curved Ø 12x320mm
61213-02	Anchoring Stem Curved Ø 13x320mm
61214-02	Anchoring Stem Curved Ø 14x320mm
61215-02	Anchoring Stem Curved Ø 15x320mm
61216-02	Anchoring Stem Curved Ø 16x320mm
61217-02	Anchoring Stem Curved Ø 17x320mm
61218-02	Anchoring Stem Curved Ø 18x320mm
61219-02	Anchoring Stem Curved Ø 19x320mm
61220-02	Anchoring Stem Curved Ø 20x320mm
61221-02	Anchoring Stem Curved Ø 21x320mm
61222-02	Anchoring Stem Curved Ø 22x320mm
61223-02	Anchoring Stem Curved Ø 23x320mm
61224-02	Anchoring Stem Curved Ø 24x320mm
61225-02	Anchoring Stem Curved Ø 25x320mm
61226-02	Anchoring Stem Curved Ø 26x320mm
61227-02	Anchoring Stem Curved Ø 27x320mm
61228-02	Anchoring Stem Curved Ø 28x320mm
61229-02	Anchoring Stem Curved Ø 29x320mm

Material: Ti6Al4V

Nominal size: 11–29mm

Conical design: 2mm

Optional

MRP-TITAN – 80 mm straight stem

80 mm

Nominal
size



MRP-TITAN 80

Item no.	Description
60913-08	Anchoring Stem Straight Ø 13x80 mm
60914-08	Anchoring Stem Straight Ø 14x80 mm
60915-08	Anchoring Stem Straight Ø 15x80 mm
60916-08	Anchoring Stem Straight Ø 16x80 mm
60917-08	Anchoring Stem Straight Ø 17x80 mm
60918-08	Anchoring Stem Straight Ø 18x80 mm
60919-08	Anchoring Stem Straight Ø 19x80 mm
60920-08	Anchoring Stem Straight Ø 20x80 mm
60921-08	Anchoring Stem Straight Ø 21x80 mm
60922-08	Anchoring Stem Straight Ø 22x80 mm
60923-08	Anchoring Stem Straight Ø 23x80 mm
60924-08	Anchoring Stem Straight Ø 24x80 mm
60925-08	Anchoring Stem Straight Ø 25x80 mm

Material: Ti6Al4V

Nominal size: 13–25 mm

Conical design: 7 mm

2. Instruments

Instrumentation set – configurations

Basic instruments sets

Basic instruments sets MRP-Titan

Set no. 51.34.1152A
Tray insert 1: Basic instrumentation
Tray insert 2: Rasps for straight stems

Basic instrument set MRP-Titan trial stems

Set no. 51.34.1154A
Straight 140 Ø 13–22 mm
Curved 200 Ø 13–22 mm

Service kit for MRP-Titan basic instrument set

Set no. 51.34.1153A
to be exchanged after 15 surgeries

Set MRP-Titan straight trials 200 Ø 13–22 mm

Set no. 51.34.1155A
Trials 200 Ø 13–22 mm

Optionally available for order

Set MRP-Titan curved trials 200 Ø 23–30 mm

Set no. 51.34.1156A

Set MRP-Titan straight trials 140 Ø 23–30 mm

Set no. 51.34.1157A

Set MRP-Titan straight trials 200 Ø 23–30 mm

Set no. 51.34.1158A

Flexible reamer set for curved stems

Set no. 51.34.1159A

Instrument set MRP-Titan distal locking

Set no. 51.34.1160A

Instrument set for distal targeting device

Set no. 51.34.1161A

Trial instruments set 260 curved Ø 11–29 mm

Set no. 51.34.1162A
Tray insert 1: Ø 11–21 mm
Tray insert 2: Ø 22–26 mm
Tray insert 3: Ø 27–29 mm

Trial instruments set 320 curved Ø 11–29 mm

Set no. 51.34.1163A
Tray insert 1: Ø 11–21 mm
Tray insert 2: Ø 22–29 mm

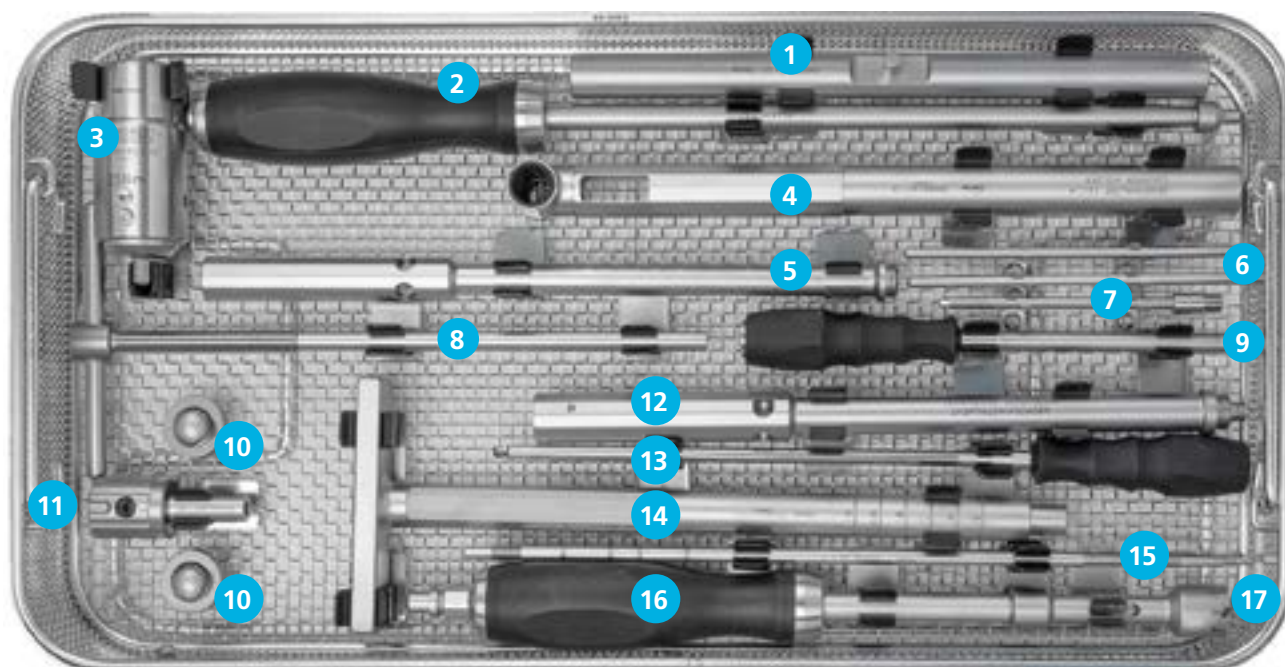
Instrument set MRP-Titan straight 80, Ø 13–25 mm

Set no. 51.34.1164A

Instrument sets	Implants					
	80 mm straight stems	140 mm straight stems	200 mm straight stems	200 mm curved stems	260 mm curved stems	320 mm curved stems
51.34.1152A	•	•	•	•	•	•
51.34.1153A	•	•	•	•	•	•
51.34.1154A	–	•	•	•	•	•
51.34.1155A	–	–	•	–	–	–
51.34.1156A	–	–	–	o	–	–
51.34.1157A	–	o	–	–	–	–
51.34.1158A	–	–	o	–	–	–
51.34.1159A	–	–	–	•	•	•
51.34.1160A	–	–	–	–	•	•
51.34.1161A	–	–	–	–	o	o
51.34.1162A	–	–	–	–	•	–
51.34.1163A	–	–	–	–	–	•
51.34.1164A	•	–	–	–	–	–

- Necessary for implantation
- o Optionally available; to be ordered separately
- Not needed for implantation

Basic instrument set MRP-Titan (98292-15-1), Set no. 51.34.1152A



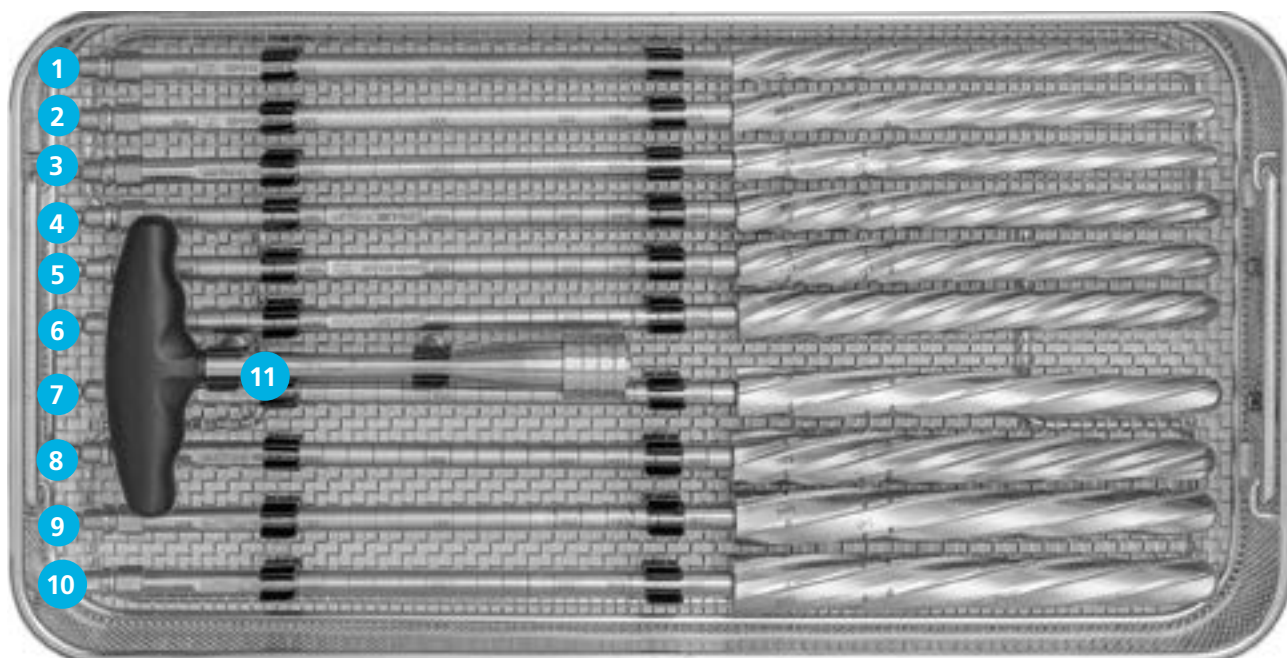
N°	Item no.	Description	Qty.	Remark
1	60900-74	Tommy Bar f. Socket Head Wrench 6 AF	1	n/a
2	60900-71-1	Allen Key 5 AF	1	n/a
3	60900-80/2	Torque Limiter 25± 1 Nm	0	A
4	60900-40-1	Counter Holder 12/14 non-sterile	1	n/a
5	60900-91	Handle for Impression Instrument	1	n/a
6	60900-97	Impression Rod for Impression Instrument	2	n/a
7	60900-96	Threaded Rod for Impression M8	1	n/a
8	60900-94	Spindle	1	n/a
9	60900-30-2	Socket Wrench 3.5 AF	1	n/a
10	60900-59	Sliding Disc	0	A
11	60900-63-1	Knurled Screw S	0	A
12	60900-50	Seating instrument prothesis Neck	1	n/a
13	97021-55-1	Allen Key 5 AF with Ball Head	1	n/a
14	60900-61	Handle for Prosthesis Inserter/Remover	1	n/a
15	60900-66-2	Guiding Rod	0	A
16	97002-55	Silicon handle M12x1 with AO-coupling	1	n/a
17	60900-23	Reamer	1	n/a
n/a	98292-15-1	MRP-TITAN Tray I unequipped	1	n/a
n/a	97015-61	Lid for Tray 480x250	1	B

A: This item is not delivered when ordering instrument set item no. 51.34.1152A;
it is physically located in this instrument set but ordered in instrument set no. 51.34.1153A.

B: Standard lid for 480x250mm trays

Available as invest-set for subsidiaries and distributors

Basic instrument set MRP-Titan (98292-125-1), Set no. 51.34.1152A



N°	Item no.	Description	Qty.	Remark
1	60913-18	Rasp with AO-Adapter Ø 13x200	1	C
2	60914-18	Rasp with AO-Adapter Ø 14x200	1	C
3	60915-18	Rasp with AO-Adapter Ø 15x200	1	C
4	60916-18	Rasp with AO-Adapter Ø 16x200	1	C
5	60917-18	Rasp with AO-Adapter Ø 17x200	1	C
6	60918-18	Rasp with AO-Adapter Ø 18x200	1	C
7	60919-18	Rasp with AO-Adapter Ø 19x200	1	C
8	60920-18	Rasp with AO-Adapter Ø 20x200	1	C
9	60921-18	Rasp with AO-Adapter Ø 21x200	1	C
10	60922-18	Rasp with AO-Adapter Ø 22x200	1	C
11	98024-20-1	T-Handle with quick coupling AO	1	C
n/a	98292-125-1	Tray Unequipped Rasps straight 140/200	1	C
n/a	97015-61	Lid for Tray 480x250	1	B

B: Standard lid for 480x250 mm trays

C: This instrumentation is used for straight stems only. For curved stems, instrument set 51.34.1159A is needed.

Available as invest-set for subsidiaries and distributors

Service kit for MRP-Titan basic instrument set, Set no. 51.34.1153A



N°	Item no.	Description	Qty.	Remark
1	60900-65-2	MRP-Titan Knurled Screw L	1	n/a
2	60900-64-2	MRP-Titan Knurled Screw M	1	n/a
3	60900-140	Torsionfree Preloading Instrument (TOV)	1	n/a
n/a	60900-80/2*	Torque Limiter 25 ± 1 Nm	1	D
n/a	60900-59*	Sliding Disc	2	D
n/a	60900-63-1*	Knurled Screw S	1	D
n/a	60900-66-2*	Guiding Rod	2	D
n/a	98292-215	Tray Unequipped Torsionfree Preloading	1	n/a

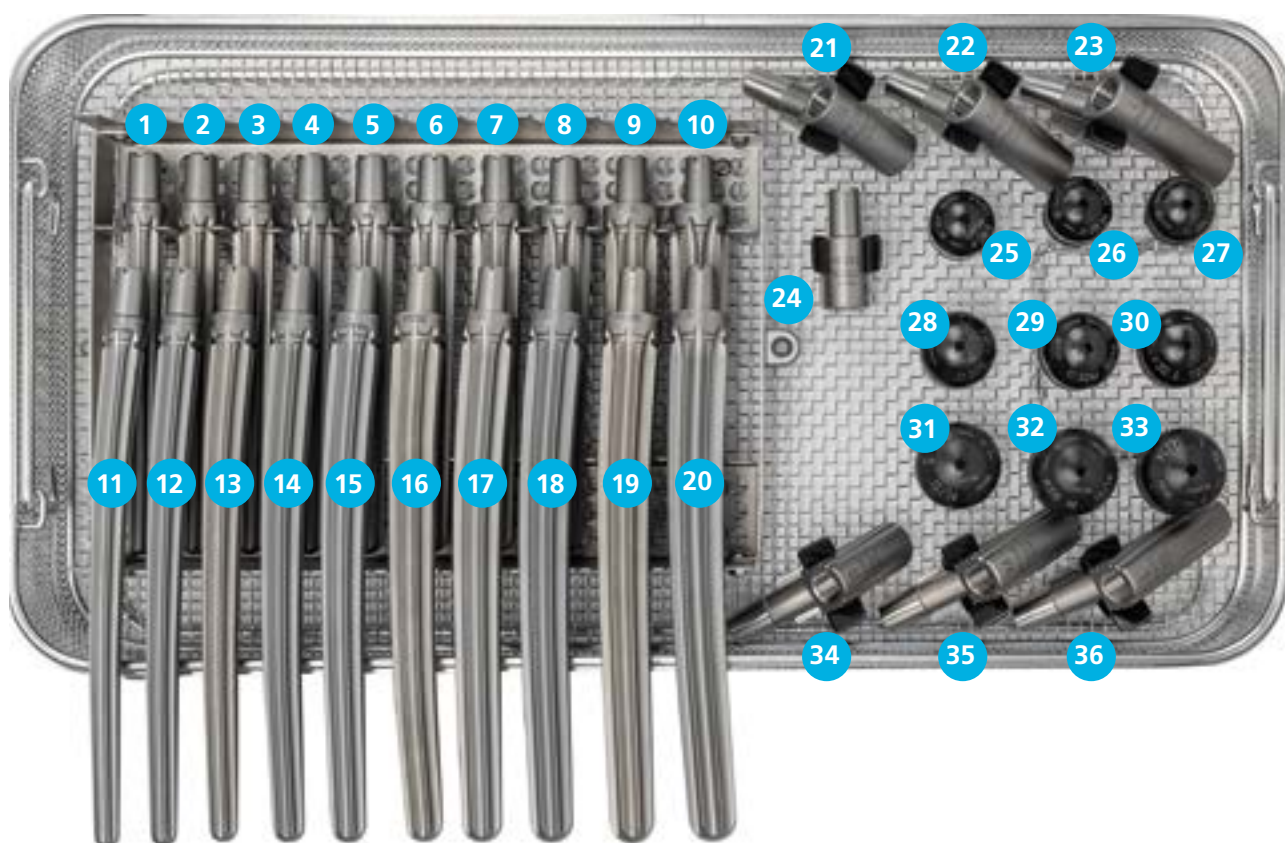
D: This item is ordered in this instrument set item no. 51.34.1153A but it is physically located in instrument set number 51.34.1152A.

*** Be aware:** These items are physically included in tray 98292-15-1 of instrument set 51.34.1152A. As these items are part of the Service kit which has to be exchanged after 15 surgeries, they are part of this set and not included in set no. 51.34.1152A.

Please take care to have enough service kits on stock in your country to have a flexible exchange of the sets after 15 surgeries. In case of questions, please contact the sales logistics department.

Available as invest-set for subsidiaries and distributors

Basic instrument set MRP-Titan trial stems, Set no. 51.34.1154A



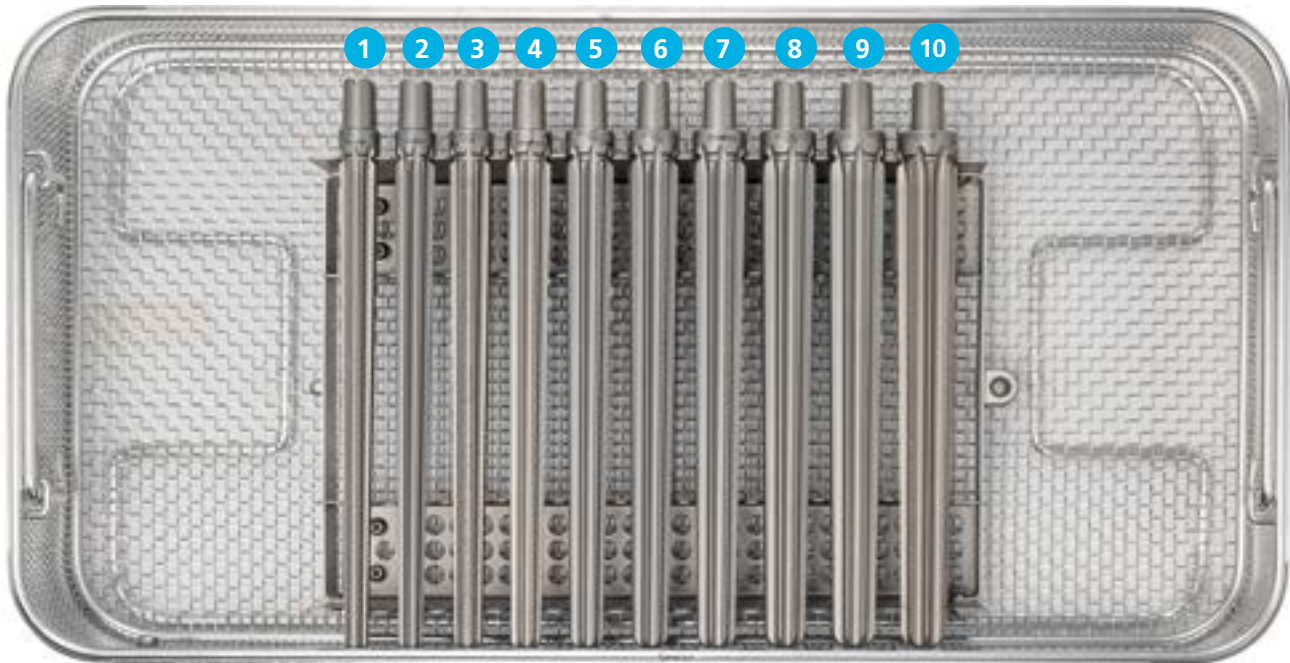
N°	Item no.	Description	Qty.	Remark
1	60913-21	Trial Anchoring Stem Straight Ø 13x 140	1	n/a
2	60914-21	Trial Anchoring Stem Straight Ø 14x 140	1	n/a
3	60915-21	Trial Anchoring Stem Straight Ø 15x 140	1	n/a
4	60916-21	Trial Anchoring Stem Straight Ø 16x 140	1	n/a
5	60917-21	Trial Anchoring Stem Straight Ø 17x 140	1	n/a
6	60918-21	Trial Anchoring Stem Straight Ø 18x 140	1	n/a
7	60919-21	Trial Anchoring Stem Straight Ø 19x 140	1	n/a
8	60920-21	Trial Anchoring Stem Straight Ø 20x 140	1	n/a
9	60921-21	Trial Anchoring Stem Straight Ø 21x 140	1	n/a
10	60922-21	Trial Anchoring Stem Straight Ø 22x 140	1	n/a
11	60913-23	Trial Anchoring Stem curved Ø 13x200	1	n/a
12	60914-23	Trial Anchoring Stem curved Ø 14x200	1	n/a
13	60915-23	Trial Anchoring Stem curved Ø 15x200	1	n/a
14	60916-23	Trial Anchoring Stem curved Ø 16x200	1	n/a
15	60917-23	Trial Anchoring Stem curved Ø 17x200	1	n/a
16	60918-23	Trial Anchoring Stem curved Ø 18x200	1	n/a
17	60919-23	Trial Anchoring Stem curved Ø 19x200	1	n/a

N°	Item no.	Description	Qty.	Remark
18	60920-23	Trial Anchoring Stem curved Ø 20x200	1	n/a
19	60921-23	Trial Anchoring Stem curved Ø 21x200	1	n/a
20	60922-23	Trial Anchoring Stem curved Ø 22x200	1	n/a
21	60902-21-1	Trial Prosthesis Neck without fin S	1	n/a
22	60902-22-1	Trial Prosthesis Neck without fin M	1	n/a
23	60902-23-1	Trial Prosthesis Neck without fin L	1	n/a
24	60916-24-1	Trial Extension Sleeve Ø 16x30	1	n/a
25	59028-71	Trial Ball S(-4), Ø 28	1	n/a
26	59028-72	Trial Ball M(0), Ø 28	1	n/a
27	59028-73	Trial Ball L(+4), Ø 28	1	n/a
28	59032-51	Trial Ball S(-4), Ø 32	1	n/a
29	59032-52	Trial Ball M(0), Ø 32	1	n/a
30	59032-53	Trial Ball L(+4), Ø 32	1	n/a
31	59036-71	Trial Ball S(-4), Ø 36	1	n/a
32	59036-72	Trial Ball M(0), Ø 36	1	n/a
33	59036-73	Trial Ball L(+4), Ø 36	1	n/a
34	60903-21-1	Trial Prosthesis Neck Lateralized S	1	n/a
35	60903-22-1	Trial Prosthesis Neck Lateralized M	1	n/a
36	60903-23-1	Trial Prosthesis Neck Lateralized L	1	n/a
n/a	98292-25	MRP-TITAN/KAM-TITAN Tray I unequipped	1	n/a
n/a	98292-27-10	Transport fixation curved Trial Stems	1	n/a
n/a	97015-61	Lid for Tray 480x250	1	B

B: Standard lid for 480x250 mm trays

Available as invest-set for subsidiaries and distributors

Set MRP-Titan straight trials 200 Ø 13–22, Set no. 51.34.1155A



N°	Item no.	Description	Qty.	Remark
1	60913-22	Trial Anchoring Stem Straight Ø 13x200	1	n/a
2	60914-22	Trial Anchoring Stem Straight Ø 14x200	1	n/a
3	60915-22	Trial Anchoring Stem Straight Ø 15x200	1	n/a
4	60916-22	Trial Anchoring Stem Straight Ø 16x200	1	n/a
5	60917-22	Trial Anchoring Stem Straight Ø 17x200	1	n/a
6	60918-22	Trial Anchoring Stem Straight Ø 18x200	1	n/a
7	60919-22	Trial Anchoring Stem Straight Ø 19x200	1	n/a
8	60920-22	Trial Anchoring Stem Straight Ø 20x200	1	n/a
9	60921-22	Trial Anchoring Stem Straight Ø 21x200	1	n/a
10	60922-22	Trial Anchoring Stem Straight Ø 22x200	1	n/a
n/a	98292-155	Tray unequ. straight trials 200 Ø 23–30	1	n/a
n/a	98292-135	Tray unequ. straight trials 200 Ø 13–22	1	n/a
n/a	98292-135-10	Transport fixation straight Trial Stems	1	n/a
n/a	97015-61	Lid for Tray 480x250	1	B

B: Standard lid for 480x250 mm trays

Available as invest-set for subsidiaries and distributors

Set MRP-Titan curved trials 200 Ø 23–30, Set no. 51.34.1156A

No picture

N°	Item no.	Description	Qty.	Remark
n/a	60923-23	Trial Anchoring Stem curved Ø 23x200	1	n/a
n/a	60924-23	Trial Anchoring Stem curved Ø 24x200	1	n/a
n/a	60925-23	Trial Anchoring Stem curved Ø 25x200	1	n/a
n/a	60926-23	Trial Anchoring Stem curved Ø 26x200	1	n/a
n/a	60927-23	Trial Anchoring Stem curved Ø 27x200	1	n/a
n/a	60928-23	Trial Anchoring Stem curved Ø 28x200	1	n/a
n/a	60929-23	Trial Anchoring Stem curved Ø 29x200	1	n/a
n/a	60930-23	Trial Anchoring Stem curved Ø 30x200	1	n/a
n/a	98292-165	Tray unequipped curved trials 200 Ø 23–30	1	n/a
n/a	97015-61	Lid for Tray 480x250	1	B

B: Standard lid for 480x250mm trays**Optionally available; needs to be ordered separately**
Available as invest-set for subsidiaries and distributors**Set MRP-Titan straight trials 140 Ø 23–30, Set no. 51.34.1157A**

No picture

N°	Item no.	Description	Qty.	Remark
n/a	60923-21	Trial Anchoring Stem Straight Ø 23x140	1	n/a
n/a	60924-21	Trial Anchoring Stem Straight Ø 24x140	1	n/a
n/a	60925-21	Trial Anchoring Stem Straight Ø 25x140	1	n/a
n/a	60926-21	Trial Anchoring Stem Straight Ø 26x140	1	n/a
n/a	60927-21	Trial Anchoring Stem Straight Ø 27x140	1	n/a
n/a	60928-21	Trial Anchoring Stem Straight Ø 28x140	1	n/a
n/a	60929-21	Trial Anchoring Stem Straight Ø 29x140	1	n/a
n/a	60930-21	Trial Anchoring Stem Straight Ø 30x140	1	n/a
n/a	98292-145	Tray unequ. straight trials 140 Ø 23–30	1	n/a
n/a	97015-61	Lid for Tray 480x250	1	B

B: Standard lid for 480x250mm trays**Optionally available; needs to be ordered separately**
Available as invest-set for subsidiaries and distributors

Set MRP-Titan straight trials 200 Ø 23–30, Set no. 51.34.1158A

No picture

N°	Item no.	Description	Qty.	Remark
n/a	60923-22	Trial Anchoring Stem, 200 S Ø 23	1	n/a
n/a	60924-22	Trial Anchoring Stem, 200 S Ø 24	1	n/a
n/a	60925-22	Trial Anchoring Stem, 200 S Ø 25	1	n/a
n/a	60926-22	Trial Anchoring Stem, 200 S Ø 26	1	n/a
n/a	60927-22	Trial Anchoring Stem, 200 S Ø 27	1	n/a
n/a	60928-22	Trial Anchoring Stem, 200 S Ø 28	1	n/a
n/a	60929-22	Trial Anchoring Stem, 200 S Ø 29	1	n/a
n/a	60930-22	Trial Anchoring Stem, 200 S Ø 30	1	n/a
n/a	98292-155	Tray unequ. straight trials 200 Ø 23–30	1	n/a
n/a	97015-61	Lid for Tray 480x250	1	B

B: Standard lid for 480x250mm trays**Optionally available; needs to be ordered separately**
Available as invest-set for subsidiaries and distributors

Flexible reamer set for curved stems, Set no. 51.34.1159A

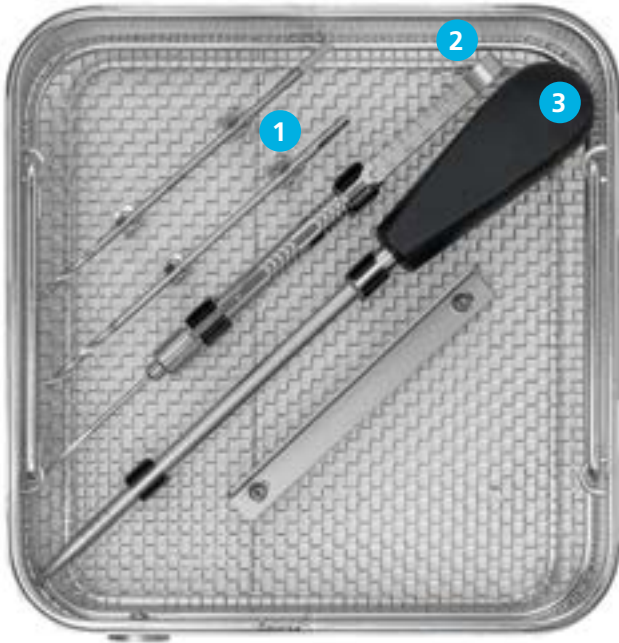
No picture

N°	Item no.	Description	Qty.	Remark
n/a	T1150	Straight guide Ø 3x820 mm	1	E
n/a	T14434	Reamer Head Ø 9.0 mm	1	E
n/a	T14435	Reamer Head Ø 9.5 mm	1	E
n/a	T14436	Reamer Head Ø 10.0 mm	1	E
n/a	T14437	Reamer Head Ø 10.5 mm	1	E
n/a	T14438	Reamer Head Ø 11.0 mm	1	E
n/a	T14439	Reamer Head Ø 11.5 mm	1	E
n/a	T14440	Reamer Head Ø 12.0 mm	1	E
n/a	T14441	Reamer Head Ø 12.5 mm	1	E
n/a	T14442	Reamer Head Ø 13.0 mm	1	E
n/a	T14443	Reamer Head Ø 13.5 mm	1	E
n/a	T14444	Reamer Head Ø 14.0 mm	1	E
n/a	T14445	Reamer Head Ø 14.5 mm	1	E
n/a	T14446	Reamer Head Ø 15.0 mm	1	E
n/a	T14447	Reamer Head Ø 15.5 mm	1	E
n/a	T14448	Reamer Head Ø 16.0 mm	1	E
n/a	T14449	Reamer Head Ø 16.5 mm	1	E
n/a	T14450	Reamer Head Ø 17.0 mm	1	E
n/a	T14451	Reamer Head Ø 17.5 mm	1	E
n/a	T14452	Reamer Head Ø 18.0 mm	1	E
n/a	T14453	Reamer Head Ø 18.5 mm	1	E
n/a	T14454	Reamer Head Ø 19.0 mm	1	E
n/a	T14455	Reamer Head Ø 19.5 mm	1	E
n/a	T3444	Nitinol Flexible Shaft with AO coupling	1	E
n/a	98202-20-2	Empty tray	1	E

E: This instrument set is needed for curved stems. It may also be used for straight stems, but it is recommended to use the rasps of instrument set 51.34.1152A for this purpose.

Optionally available; needs to be ordered separately
Available as invest-set for subsidiaries and distributors

Instrument set MRP-Titan distal locking, Set no. 51.34.1160A



N°	Item no.	Description	Qty.	Remark
1	12101-17	Drill AO Coupling Ø 3.7 x 165	2	F
2	54016-30-1	Measuring Gauge Straight 20–110	1	F
3	97023-35	Socket Head Wrench 3.5 AF	1	F
4	98295-15	MRP-TITAN Tray III, Distal Crossdrilling	1	F
5	97015-63	Lid 1/2 for Tray	1	F

F: This instrument set is needed for 260 and 320mm stem lengths with distal locking option only.

Optionally available; needs to be ordered separately
Available as invest-set for subsidiaries and distributors

Instrument set for distal targeting device, Set no. 51.34.1161A

No picture

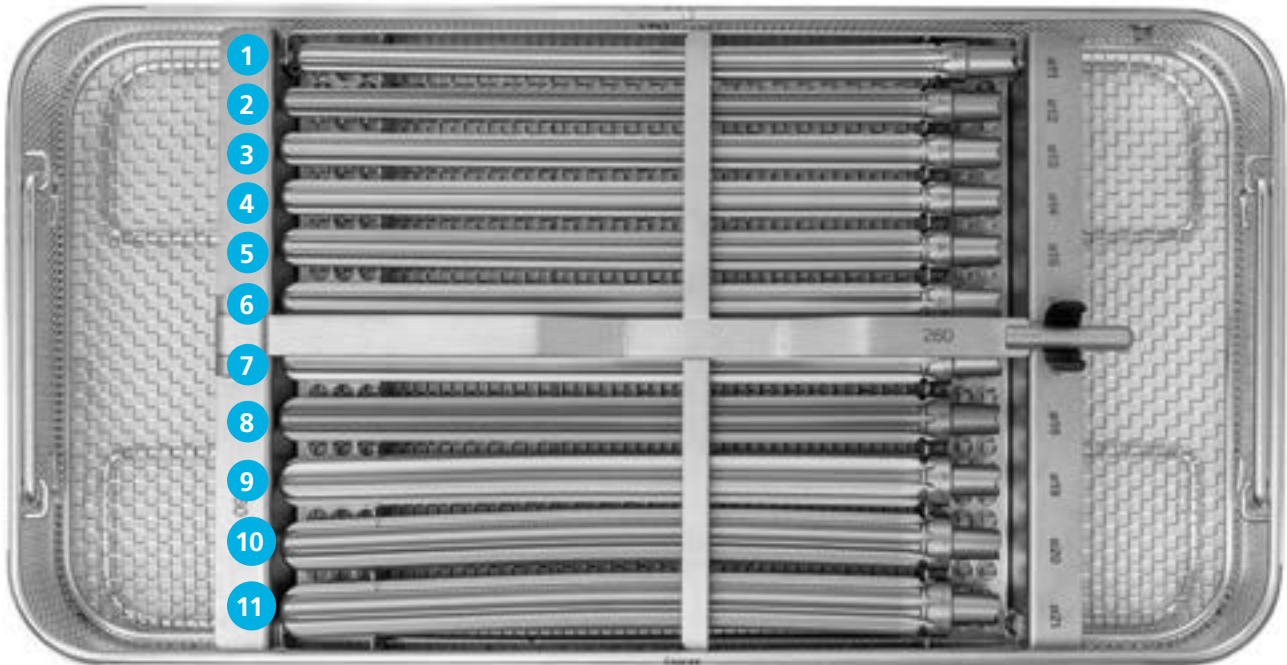
N°	Item no.	Description	Qty.	Remark
n/a	12101-17-02	Drill AO Coupling Ø 3,7x280 mm	1	F
n/a	61211-31	Grip Complete	1	F
n/a	61211-32	Adapter aiming device	1	F
n/a	61211-33-10	Rail	1	F
n/a	61211-33-06	Hook aiming device	1	F
n/a	61211-35	Clamping screw M8 aiming device	1	F
n/a	61211-43	Cross slot key aiming device	1	F
n/a	61211-37	Protection sleeve aiming device	1	F
n/a	61211-38	Drill Sleeve	1	F
n/a	61211-40	Cone clamping aiming device	1	F
n/a	61211-41	Allen key SW3,5 aiming device	1	F
n/a	97021-65-1	Allen key SW6	1	F
n/a	98295-45	MRP-TITAN mdV Aiming Device, Unequipped	1	F

F: This instrument set is needed for 260 and 320mm stem lengths with distal locking option only.

Optionally available; needs to be ordered separately

Available as loan-set from OHQ only

Trial instrument set 260 curved Ø 11–29 (11–21), Set no. 51.34.1162A



N°	Item no.	Description	Qty.	Remark
1	61211-21	Trial Anchoring Stem curved Ø 11x260	1	n/a
2	61212-21	Trial Anchoring Stem curved Ø 12x260	1	n/a
3	61213-21	Trial Anchoring Stem curved Ø 13x260	1	n/a
4	61214-21	Trial Anchoring Stem curved Ø 14x260	1	n/a
5	61215-21	Trial Anchoring Stem curved Ø 15x260	1	n/a
6	61216-21	Trial Anchoring Stem curved Ø 16x260	1	n/a
7	61217-21	Trial Anchoring Stem curved Ø 17x260	1	n/a
8	61218-21	Trial Anchoring Stem curved Ø 18x260	1	n/a
9	61219-21	Trial Anchoring Stem curved Ø 19x260	1	n/a
10	61220-21	Trial Anchoring Stem curved Ø 20x260	1	n/a
11	61221-21	Trial Anchoring Stem curved Ø 21x260	1	n/a
12	98292-85	Tray unequipped curved trials 260 Ø 11–21	1	n/a
n/a	97015-61	Lid for Tray 480x250	1	B

B: Standard lid for 480x250mm trays

Optionally available; needs to be ordered separately
Available as loan-set from OHQ and as invest-set for subsidiaries and distributors.

Trial instrument set 260 curved Ø 11–29 (22–26), Set no. 51.34.1162A



N°	Item no.	Description	Qty.	Remark
1	61222-21	Trial Anchoring stem curved Ø 22x260	1	n/a
2	61223-21	Trial Anchoring stem curved Ø 23x260	1	n/a
3	61224-21	Trial Anchoring Stem curved Ø 24x260	1	n/a
4	61225-21	Trial Anchoring Stem curved Ø 25x260	1	n/a
5	61226-21	Trial Anchoring Stem curved Ø 26x260	1	n/a
n/a	98292-175	Tray unequipped curved trials 260 Ø 22–29	1	n/a

Optionally available; needs to be ordered separately

Available as loan-set from OHQ and as invest-set for subsidiaries and distributors.

Trial instrument set 260 curved Ø 11–29 (27–29), Set no. 51.34.1162A

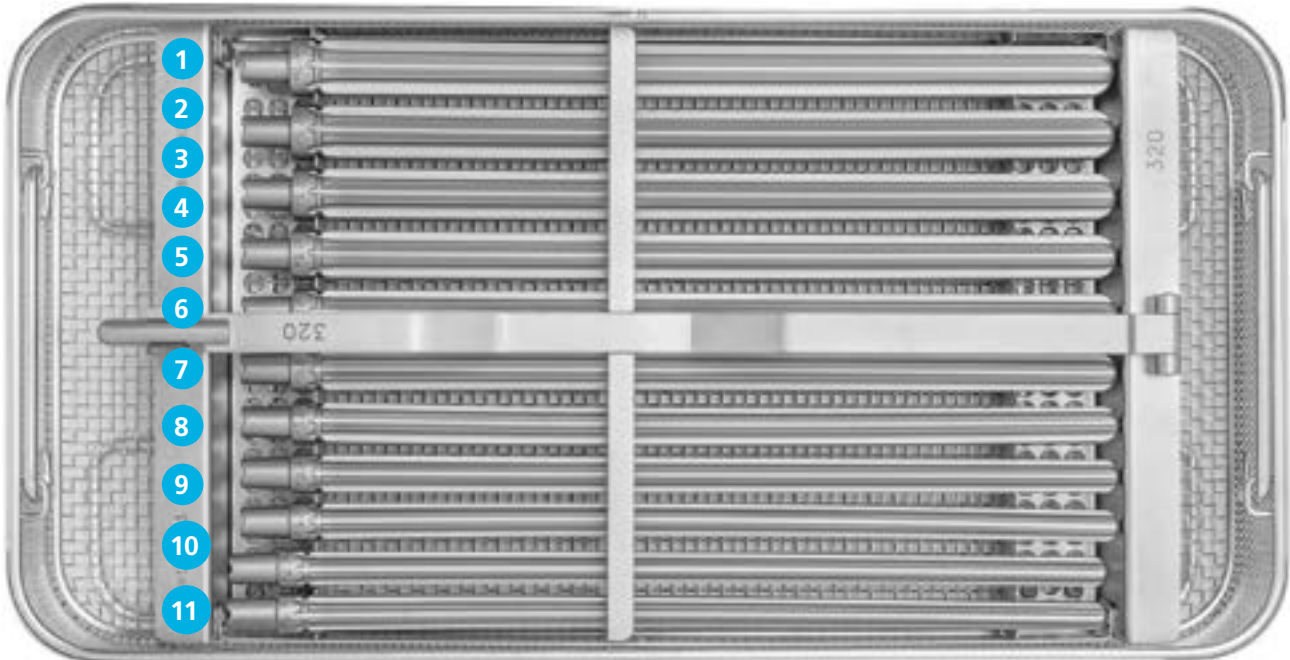


N°	Item no.	Description	Qty.	Remark
1	61227-21	Trial Anchoring Stem curved Ø 27x260	1	n/a
2	61228-21	Trial Anchoring Stem curved Ø 28x260	1	n/a
3	61229-21	Trial Anchoring Stem curved Ø 29x260	1	n/a
n/a	98292-176	Tray inlay curved trials 260 Ø 22–29	1	n/a

Optionally available; needs to be ordered separately

Available as loan-set from OHQ and as invest-set for subsidiaries and distributors.

Trial instrument set 320 curved Ø 11–29 (11–21), Set no. 51.34.1163A



N°	Item no.	Description	Qty.	Remark
1	61211-22	Trial Anchoring Stem curved Ø 11x320	1	n/a
2	61212-22	Trial Anchoring Stem curved Ø 12x320	1	n/a
3	61213-22	Trial Anchoring Stem curved Ø 13x320	1	n/a
4	61214-22	Trial Anchoring Stem curved Ø 14x320	1	n/a
5	61215-22	Trial Anchoring Stem curved Ø 15x320	1	n/a
6	61216-22	Trial Anchoring Stem curved Ø 16x320	1	n/a
7	61217-22	Trial Anchoring Stem curved Ø 17x320	1	n/a
8	61218-22	Trial Anchoring Stem curved Ø 18x320	1	n/a
9	61219-22	Trial Anchoring Stem curved Ø 19x320	1	n/a
10	61220-22	Trial Anchoring Stem curved Ø 20x320	1	n/a
11	61221-22	Trial Anchoring Stem curved Ø 21x320	1	n/a
12	98292-95	Tray unequipped curved trials 320 Ø 11–21	1	n/a
n/a	97015-61	Lid for Tray 480x250	1	B

B: Standard lid for 480x250 mm trays

Optionally available; needs to be ordered separately
Available as loan-set from OHQ only

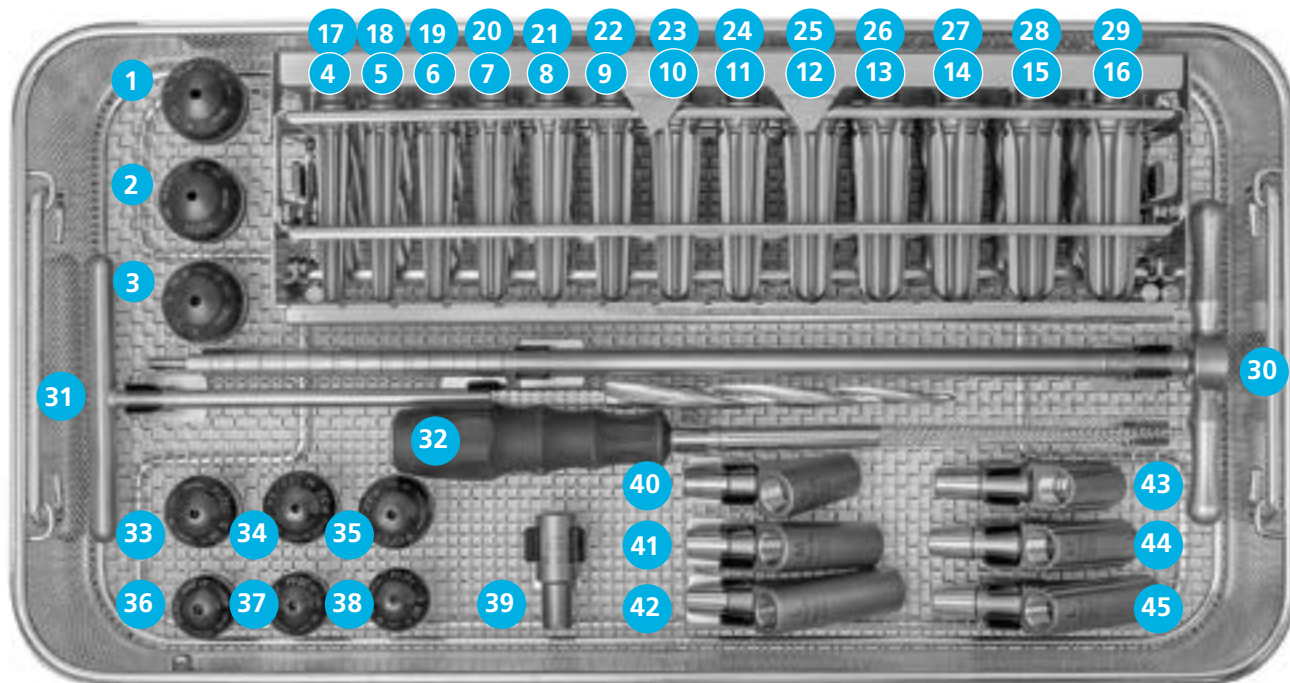
Trial instrument set 320 curved Ø 11–29 (22–29), Set no. 51.34.1163A

No picture

N°	Item no.	Description	Qty.	Remark
n/a	61222-22	TRIAL Anchoring stem curved Ø 22x320	1	n/a
n/a	61223-22	TRIAL Anchoring stem curved Ø 23x320	1	n/a
n/a	61224-22	TRIAL Anchoring stem curved Ø 24x320	1	n/a
n/a	61225-22	TRIAL Anchoring stem curved Ø 25x320	1	n/a
n/a	61226-22	TRIAL Anchoring stem curved Ø 26x320	1	n/a
n/a	61227-22	TRIAL Anchoring stem curved Ø 27x320	1	n/a
n/a	61228-22	TRIAL Anchoring stem curved Ø 28x320	1	n/a
n/a	61229-22	TRIAL Anchoring stem curved Ø 29x320	1	n/a
n/a	98292-185	Tray unequipped curved trials 320 Ø 22–29	1	n/a
n/a	98292-186	Tray inlay curved trials 320 Ø 22–29	1	n/a
n/a	97015-61	Lid for Tray 480x250	1	B

B: Standard lid for 480x250mm trays**Optionally available; needs to be ordered separately**
Available as loan-set from OHQ only

Instrument set MRP-Titan straight 80, Ø 13–25, Set no. 51.34.1164A



N°	Item no.	Description	Qty.	Remark
1	59036-73	Trial Ball L(+4), Ø 36	1	n/a
2	59036-72	Trial Ball M(0), Ø 36	1	n/a
3	59036-71	Trial Ball S(-4), Ø 36	1	n/a
4	60913-28	Trial Stem Straight Ø 13x80	1	n/a
5	60914-28	Trial Stem Straight Ø 14x80	1	n/a
6	60915-28	Trial Stem Straight Ø 15x80	1	n/a
7	60916-28	Trial Stem Straight Ø 16x80	1	n/a
8	60917-28	Trial Stem Straight Ø 17x80	1	n/a
9	60918-28	Trial Stem Straight Ø 18x80	1	n/a
10	60919-28	Trial Stem Straight Ø 19x80	1	n/a
11	60920-28	Trial Stem Straight Ø 20x80	1	n/a
12	60921-28	Trial Stem Straight Ø 21x80	1	n/a
13	60922-28	Trial Stem Straight Ø 22x80	1	n/a
14	60923-28	Trial Stem Straight Ø 23x80	1	n/a
15	60924-28	Trial Stem Straight Ø 24x80	1	n/a
16	60925-28	Trial Stem Straight Ø 25x80	1	n/a

N°	Item no.	Description	Qty.	Remark
17	60913-13	Reamer Ø 13x80	1	n/a
18	60914-13	Reamer Ø 14x80	1	n/a
19	60915-13	Reamer Ø 15x80	1	n/a
20	60916-13	Reamer Ø 16x80	1	n/a
21	60917-13	Reamer Ø 17x80	1	n/a
22	60918-13	Reamer Ø 18x80	1	n/a
23	60919-13	Reamer Ø 19x80	1	n/a
24	60920-13	Reamer Ø 20x80	1	n/a
25	60921-13	Reamer Ø 21x80	1	n/a
26	60922-13	Reamer Ø 22x80	1	n/a
27	60923-13	Reamer Ø 23x80	1	n/a
28	60924-13	Reamer Ø 24x80	1	n/a
29	60925-13	Reamer Ø 25x80	1	n/a
30	60913-12	Handle Reamers 80	1	n/a
31	61401-18	Reamer	1	n/a
32	60913-10	Rasp MRP-Titan 80	1	n/a
33	59032-51	Trial Ball S(-4), Ø 32	1	n/a
34	59032-52	Trial Ball M(0), Ø 32	1	n/a
35	59032-53	Trial Ball L(+4), Ø 32	1	n/a
36	59028-71	Trial Ball S(-4), Ø 28	1	n/a
37	59028-72	Trial Ball M(0), Ø 28	1	n/a
38	59028-73	Trial Ball L(+4), Ø 28	1	n/a
39	60916-24-1	Trial Extension Sleeve Ø 16x30	1	n/a
40	60902-21-1	Trial Prosthesis Neck without fin S	1	n/a
41	60902-22-1	Trial Prosthesis Neck without fin M	1	n/a
42	60902-23-1	Trial Prosthesis Neck without fin L	1	n/a
43	60903-21-1	Trial Prosthesis Neck Lateralized S	1	n/a
44	60903-22-1	Trial Prosthesis Neck Lateralized M	1	n/a
45	60903-23-1	Trial Prosthesis Neck Lateralized L	1	n/a
n/a	98292-105	Tray unequipped curved trials 80 Ø 13–25	1	n/a
n/a	98292-76	Cassette Unequipped for 80mm MRP-Trial	1	n/a
n/a	97015-61	Lid for Tray 480x250	1	B

B: Standard lid for 480x250mm trays

Optionally available; needs to be ordered separately
Available as loan-set from OHQ only

Manufacturer

PETER BREHM

Distributed by

MATHYS 
European Orthopaedics

Australia	Mathys Orthopaedics Pty Ltd Artarmon, NSW 2064 Tel: +61 2 9417 9200 info.au@mathysmedical.com	Italy	Mathys Ortopedia S.r.l. 20141 Milan Tel: +39 02 4959 8085 info.it@mathysmedical.com
Austria	Mathys Orthopädie GmbH 2351 Wiener Neudorf Tel: +43 2236 860 999 info.at@mathysmedical.com	Japan	Mathys KK Tokyo 108-0075 Tel: +81 3 3474 6900 info.jp@mathysmedical.com
Belgium	Mathys Orthopaedics Belux N.V.-S.A. 3001 Leuven Tel: +32 16 38 81 20 info.be@mathysmedical.com	New Zealand	Mathys Ltd. Auckland Tel: +64 9 478 39 00 info.nz@mathysmedical.com
France	Mathys Orthopédie S.A.S 63360 Gerzat Tel: +33 4 73 23 95 95 info.fr@mathysmedical.com	Netherlands	Mathys Orthopaedics B.V. 3001 Leuven Tel: +31 88 1300 500 info.nl@mathysmedical.com
Germany	Mathys Orthopädie GmbH «Centre of Excellence Sales» Bochum 44809 Bochum Tel: +49 234 588 59 0 sales.de@mathysmedical.com «Centre of Excellence Ceramics» Mörsdorf 07646 Mörsdorf/Thür. Tel: +49 364 284 94 0 info.de@mathysmedical.com «Centre of Excellence Production» Hermsdorf 07629 Hermsdorf Tel: +49 364 284 94 110 info.de@mathysmedical.com	P. R. China	Mathys (Shanghai) Medical Device Trading Co., Ltd Shanghai, 200041 Tel: +86 21 6170 2655 info.cn@mathysmedical.com
		Switzerland	Mathys (Schweiz) GmbH 2544 Bettlach Tel: +41 32 644 1 458 info@mathysmedical.com
		United Kingdom	Mathys Orthopaedics Ltd Alton, Hampshire GU34 2QL Tel: +44 8450 580 938 info.uk@mathysmedical.com

Local Marketing Partners in over 30 countries worldwide ...

Manufactured by PETER BREHM GmbH • Am Mühlberg 30 • 91085 Weisendorf • Germany • www.peter-brehm.de
Distributed by Mathys Ltd Bettlach • Robert Mathys Strasse 5 • P.O. Box • 2544 Bettlach • Switzerland • www.mathysmedical.com